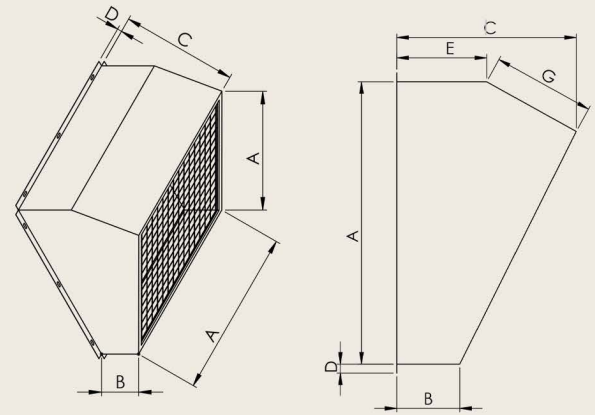
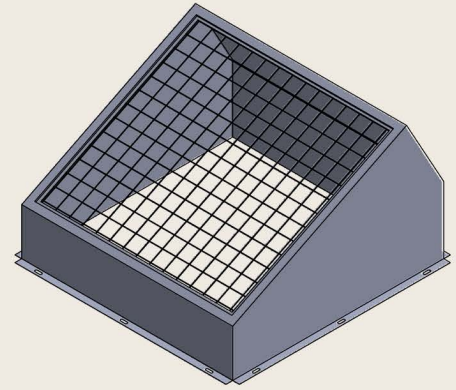


CUBIERTA PARA INTEMPERIE
(WEATHERHOOD)

DIMENSIONES GENERALES (DIMENSIONS)

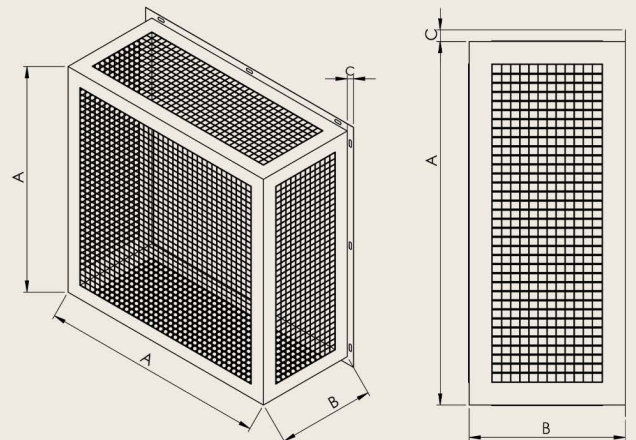
MODELO	PULGADAS (Inches)						No.de barrenos
	A	B	C	D	E	G	
C-08	12 1/2	8	14	1	6 59/64	6 59/64	8
C-10	14 1/2	8	14	1	6 59/64	6 59/64	8
C-12	16 1/2	8	16	1	8	8	8
C-14	18 1/2	8	18	1	9	9	8
C-16	20 1/2	8	20	1	10	10	8
C-18	22 1/2	8	22	1	11 1/32	11 1/32	8
C-20	24 1/2	8	24	1	11 31/32	11 31/32	8
C-24	30 1/2	12	27	1 1/2	12 13/64	12 13/64	12
C-30	36 1/2	12	30	1 1/2	16 9/64	16 9/64	12
C-36	42 1/2	12	33	1 1/2	17 29/32	20 15/32	12
C-42	48 1/2	12	36	1 1/2	17 29/32	20 15/32	12
C-48	54 1/2	12	40	1 1/2	19 11/16	19 11/16	12
C-54	62 51/64	12	40	2 23/64	20 9/64	20 9/64	16
C-60	68 1/2	14	44	2 23/64	22	22	16
C-70	78 1/2	14	44	2 23/64	22	22	16



MALLA DE PROTECCION PARA INTERIOR
(INDOOR GUARD)

DIMENSIONES GENERALES (DIMENSIONS)

MODEL (MODEL)	PULGADAS (INCHES)			No.DE BARRENOS (No. of Holes)
	A	B	C	
M-08	12 1/2	10	1	8
M-10	14 1/2	10	1	8
M-12	16 1/2	10	1	8
M-14	18 1/2	10	1	8
M-16	20 1/2	10	1	8
M-18	22 1/2	12	1	8
M-20	24 1/2	12	1	8
M-24	30 1/2	18	1 1/2	12
M-30	36 1/2	18	1 1/2	12
M-36	42 1/2	18	1 1/2	12
M-42	48 1/2	20	2	12
M-48	54 1/2	20	2	12
M-54	62 1/2	27	2	12
M-60	68 1/2	33	2	12
M-70	78 1/2	33	2	12



UNION PARA PERSIANA

(BAROMETRIC SHUTTER COLLAR)

DIMENSIONES GENERALES (DIMENSIONS)

MODEL (MODEL)	PULGADAS (INCHES)			No.DE BARRENOS (No. of Holes)
	A	B	C	
U-08	12 1/2	12	10	8
U-10	14 1/2	12	12	8
U-12	16 1/2	12	14	8
U-14	18 1/2	16	16	8
U-16	20 1/2	16	18	8
U-18	22 1/2	16	20	8
U-20	24 1/2	16	22	8
U-24	30 1/2	18	28 1/2	12
U-30	36 1/2	18	34 1/2	12
U-36	42 1/2	18	40 1/2	12
U-42	48 1/2	20	46 1/2	12
U-48	54 1/2	20	52 1/2	12
U-54	62 1/2	20	60 1/2	12
U-60	68 1/2	20	66 1/2	12
U-70	78 1/2	20	76 1/2	12

